

HOW TO MEASURE

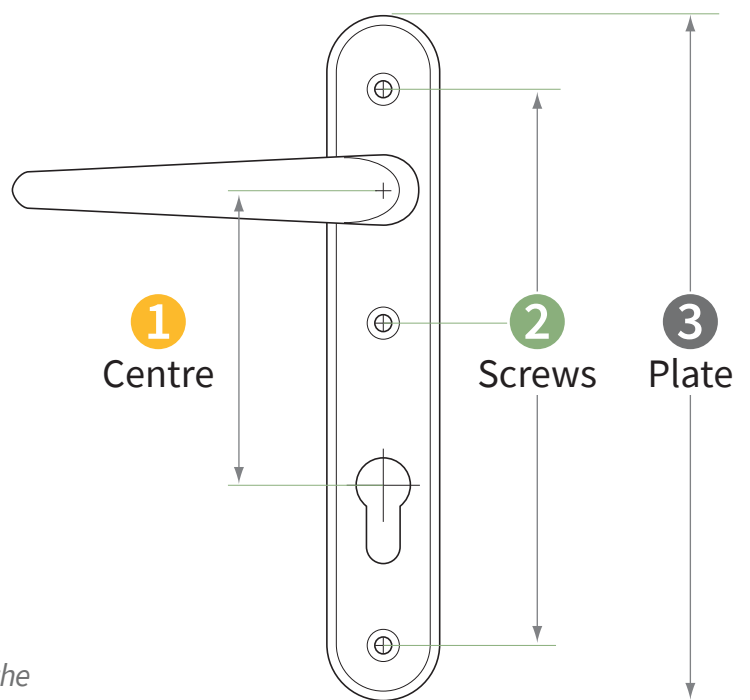
→ A Door Handle ←

Measuring your handle correctly will help you to identify a similar replacement handle

There are 3 main sizes to take when measuring a door handle.

1. The first is the distance from the centre of the handle to the centre of the keyhole. *This is referred to as the PZ.*
2. Next is the distance between the centre of the top screw to the centre of the bottom screw.*
3. Finally the length of the handle plate, top to bottom.

**Note: Some variants have a 3rd screw hole, or the Top screw is based below the handle instead of above it.*



PRINT ME OUT!

Measure your handle here:

	Measurement in mm
1 Centre	
2 Screws	
3 Plate	

